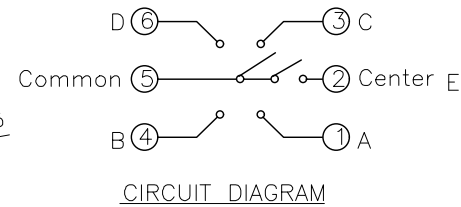
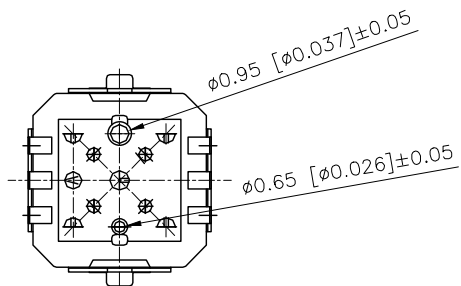
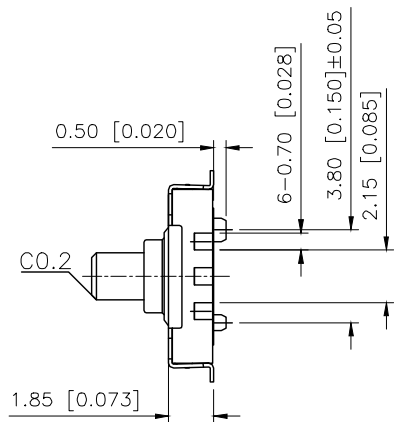
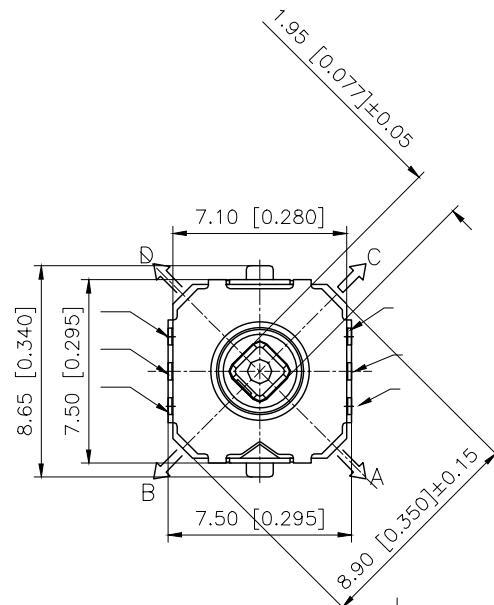
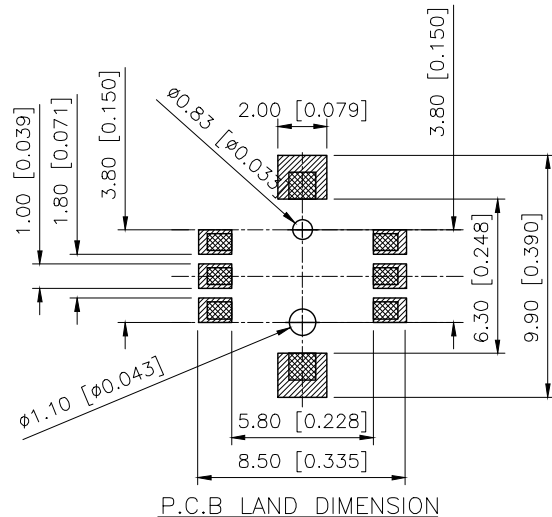
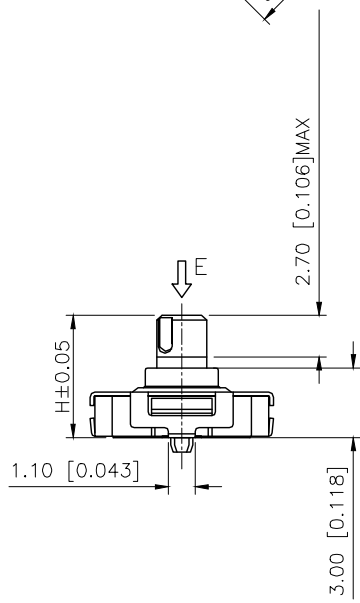


REVISIONS					
REV.	ECN NO.	LOCATION	DESCRIPTION	DATE	DESIGN
A1	N/A			2025.06.25	
A2	ECN-P-2025120601	A2 X1		2025.12.06	



SPECIFICATION
 1. Rating: DC 12V 50mA Max
 2. Contact resistance: 100mΩ MAX
 3. Insulation resistance: 100MΩ Min
 4. Dielectric strength: 250VAC/min
 5. center: 0.15±0.10 mm
 around: 0.25±0.20 mm
 6. Operating life: 100,000 cycles

PAPT NO	TM-4175-X-X		
Operating force	A	4 Direction Center	180±50gf 250±50gf
	B	4 Direction Center	250±50gf 360±70gf
Height	H:A:5	B:6	



ITEM	PAPT NAMF	QTY	MATERIAL	FINISHING
	Cover	1	SUS304	Ni Sn plating
	Plum blossom Button()	1	PA	Black
	Stem	1	LCP	Black
	Contact form	3	SUS301	Silver coated
	Housing	1	PA6T	Black
	Terminal	1	Phosphor copper	Ag Plating

AuGLAR	±5°
X.	±0.40
X.x	±0.30
X.xx	±0.20
X.xxx	±0.15
UNSPECIFIED TOLERANCES	



DESIGN		VIEW:	MODEL TYPE: MULTI-FUNCTIONAL SWITCH
CHECKED		UNIT: mm/in	PART NO.: TM-4175-X-X
APPROVED		SIZE: A4	DWG NO.: